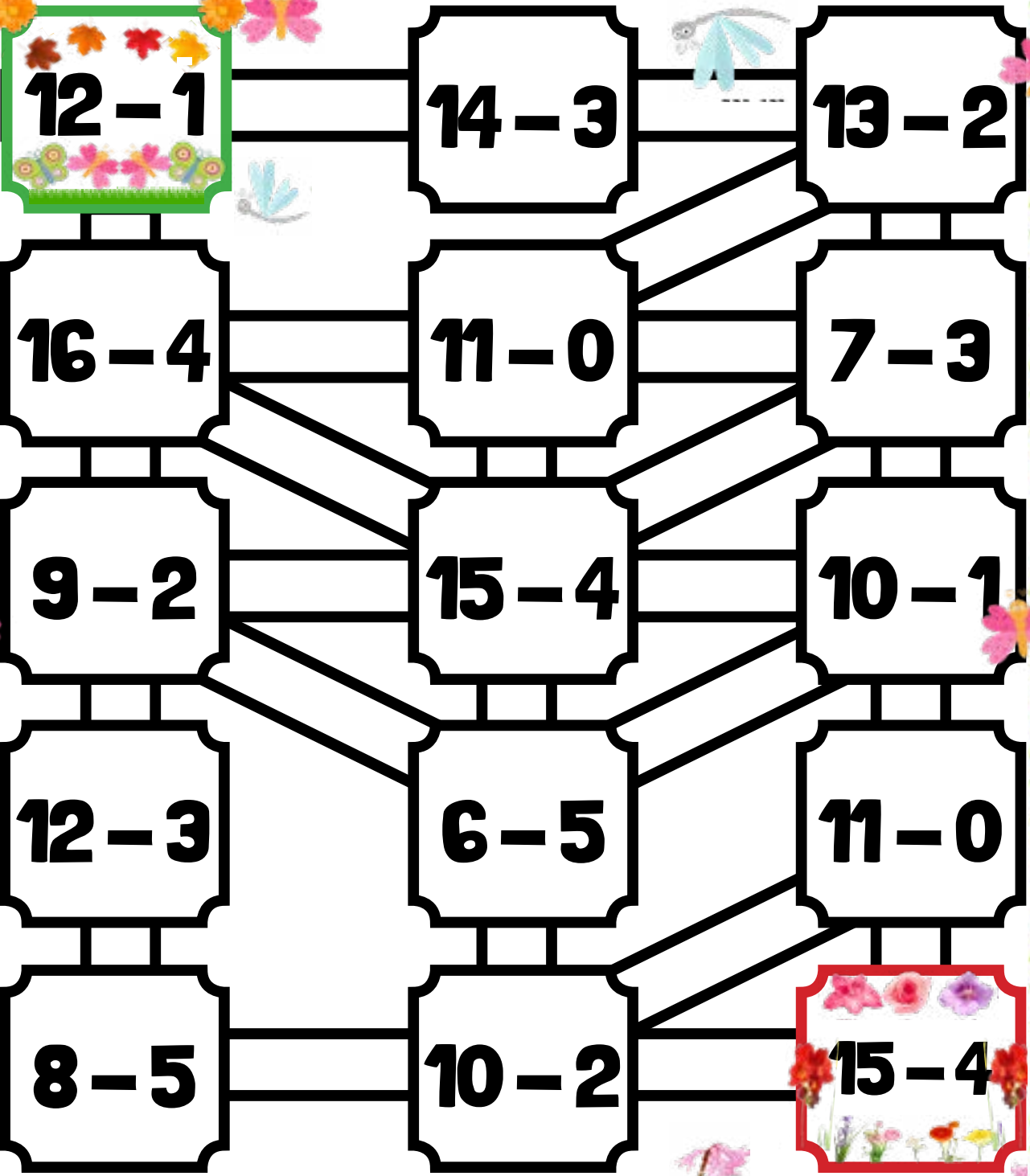


# Maze: Making 11

Instructions: Work your way through the maze and find the expressions that Make 11.



**GOAL!**

# Maze: Making 11

Instructions: Work your way through the maze and find the expressions that Make 11.

**START**

**Goal**

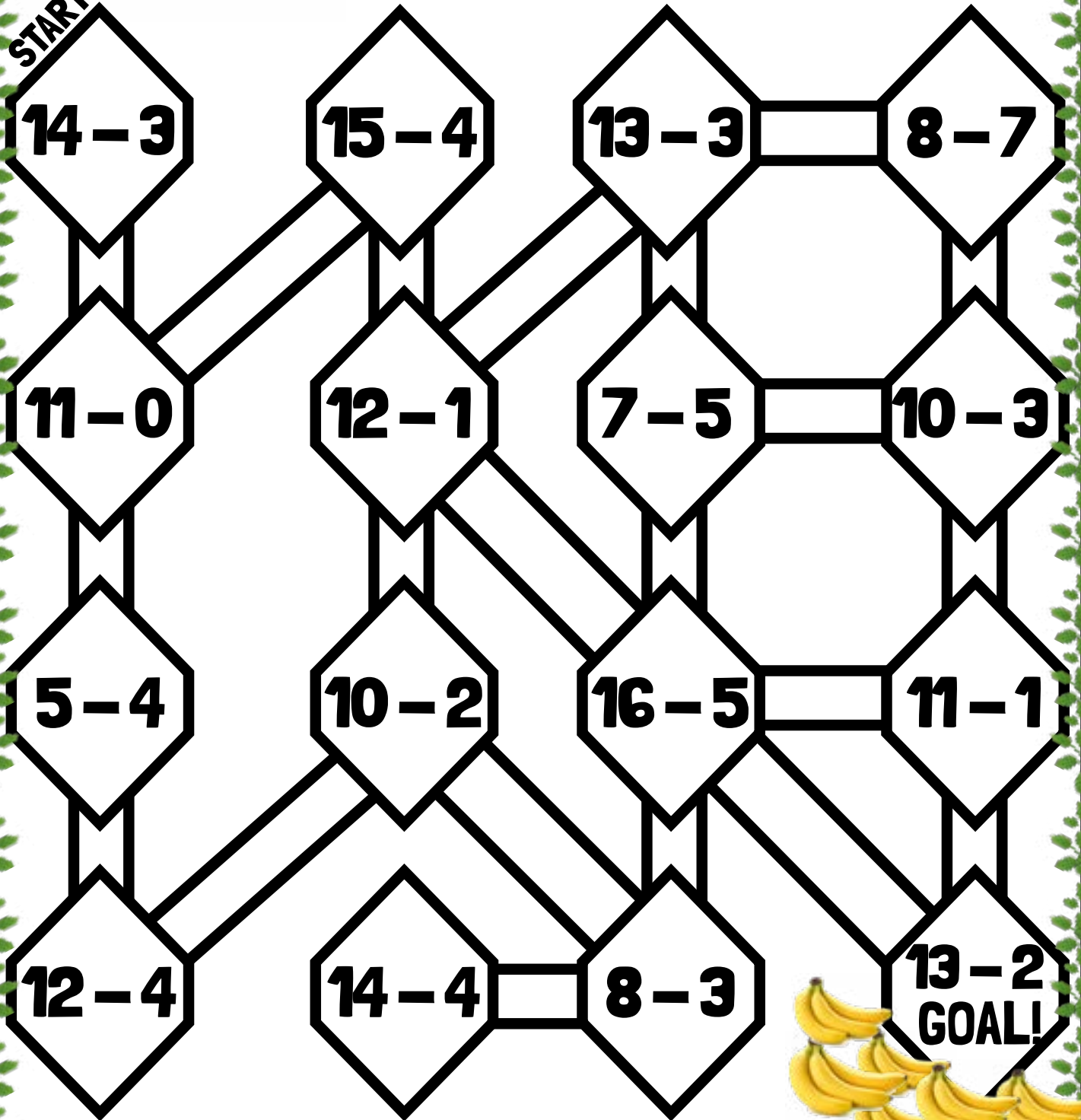
Subtraction problems in the maze nodes:

- 9 - 2
- 15 - 4
- 12 - 1
- 14 - 2
- 11 - 0
- 13 - 3
- 7 - 5
- 16 - 5
- 6 - 6
- 9 - 4
- 14 - 3
- 4 - 2
- 13 - 2
- 12 - 6
- 5 - 3

# Maze: Making 11

Instructions: Work your way through the maze and find the expressions that Make 11.

START

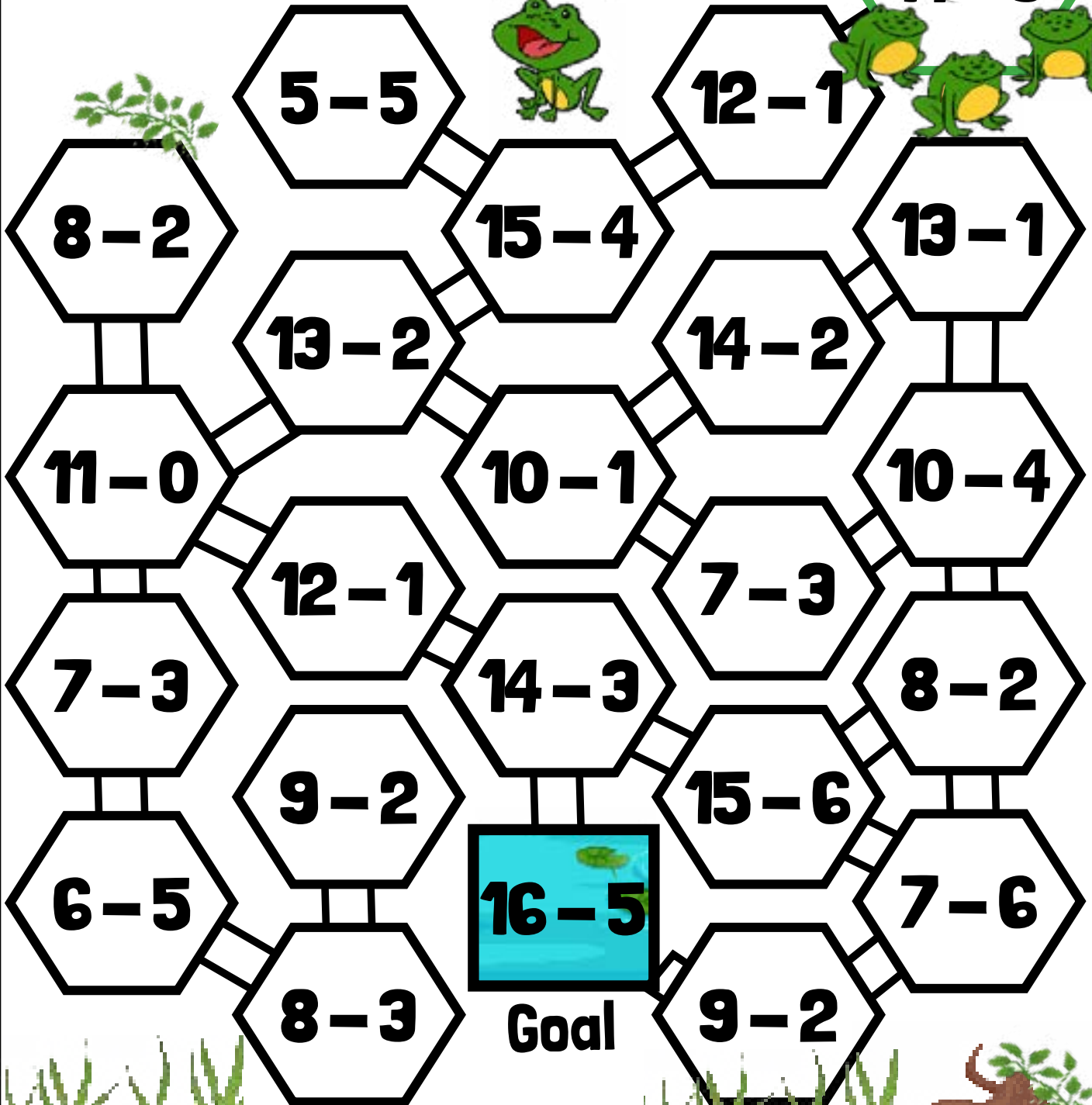
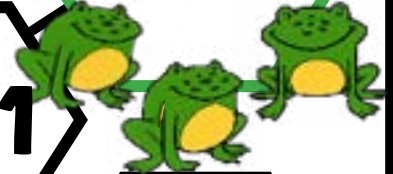


# Maze: Making 11

Instructions: Work your way through the maze and find the expressions that Make 11.



START  
 $14 - 3$



Goal

# Maze: Making 11

Instructions: Work your way through the maze and find the expressions that Make 11.

Goal



10 - 3

11 - 2

13 - 4

4 - 3

7 - 4

12 - 1

6 - 5

10 - 1

12 - 2

16 - 5

14 - 3

11 - 0

13 - 2

START